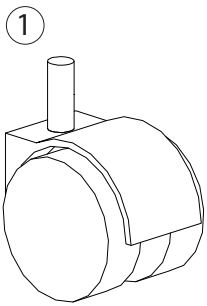
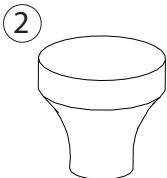


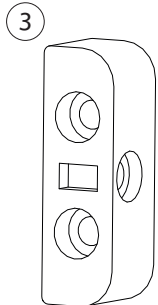
EAC



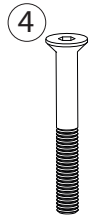
x4



x2



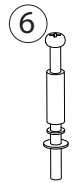
x4



x8



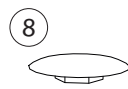
x8



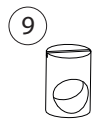
x12



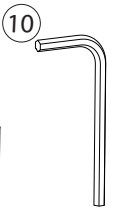
x12



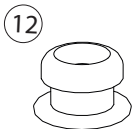
x12



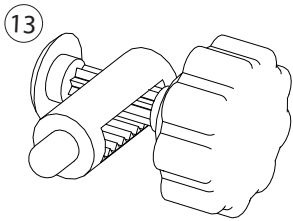
x4



x1



x2



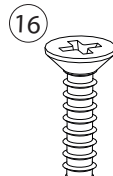
x2



x6



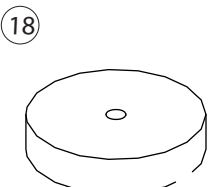
x8



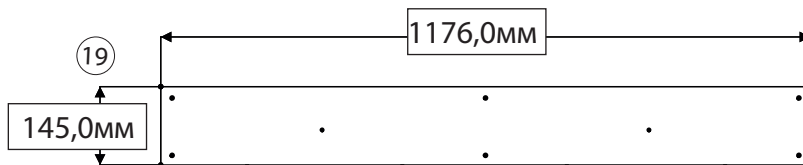
x2



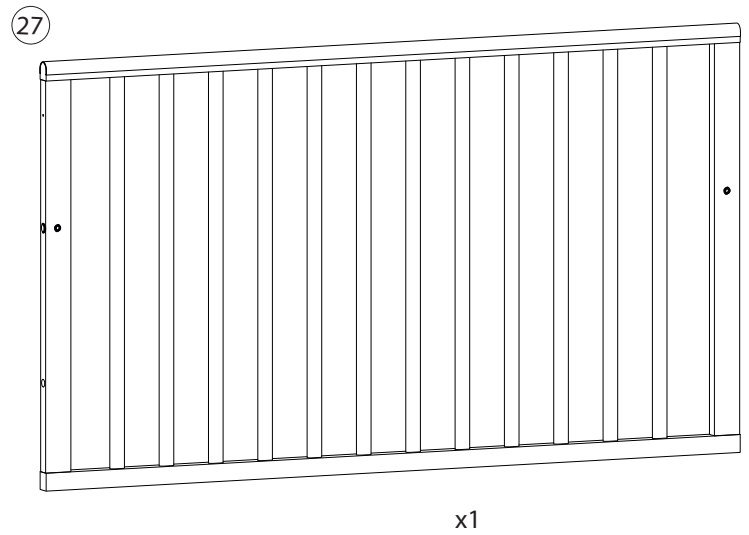
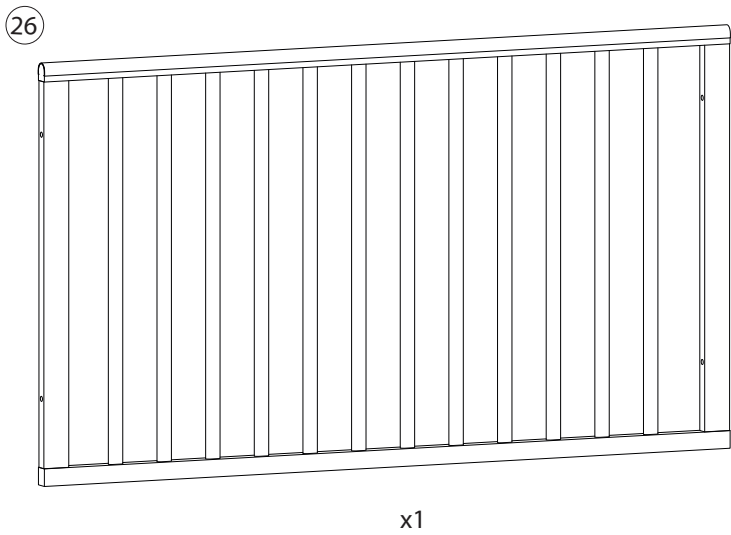
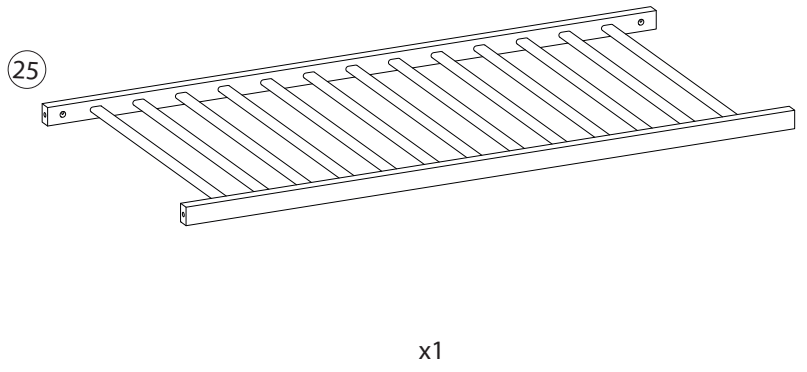
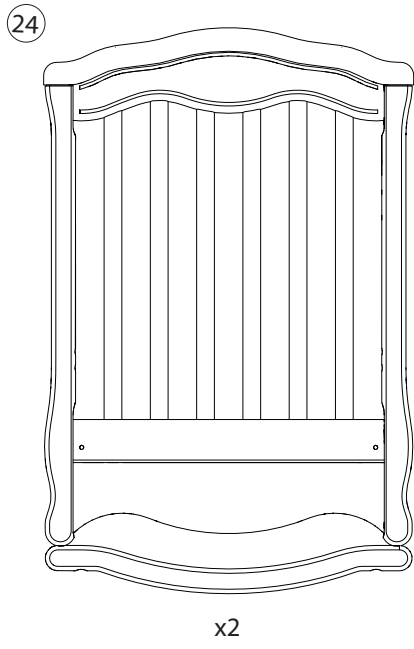
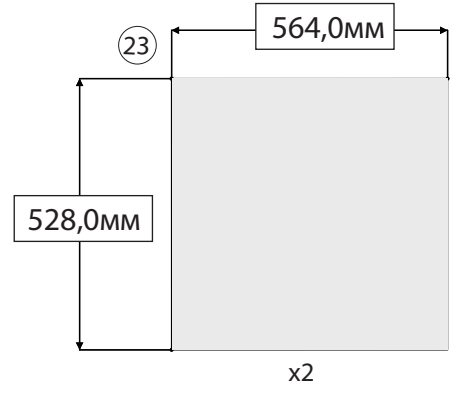
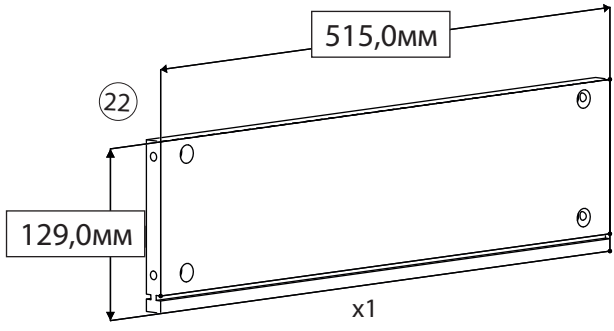
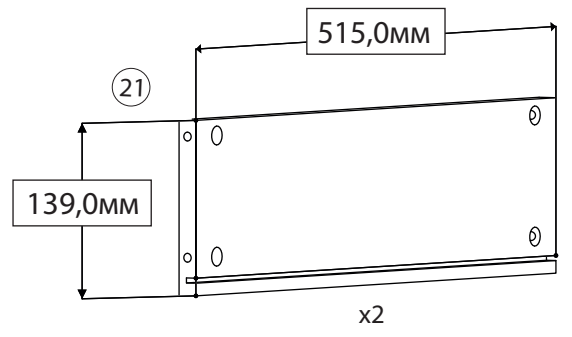
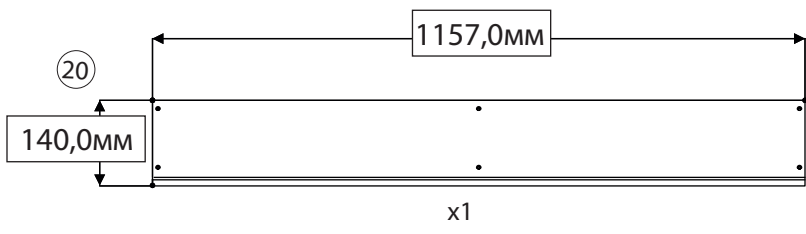
x2



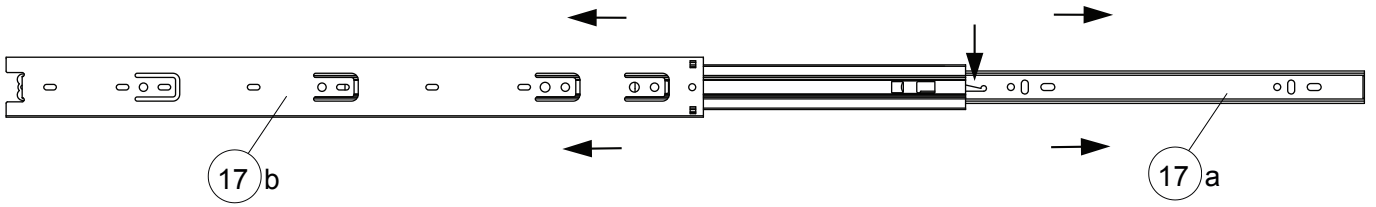
x6



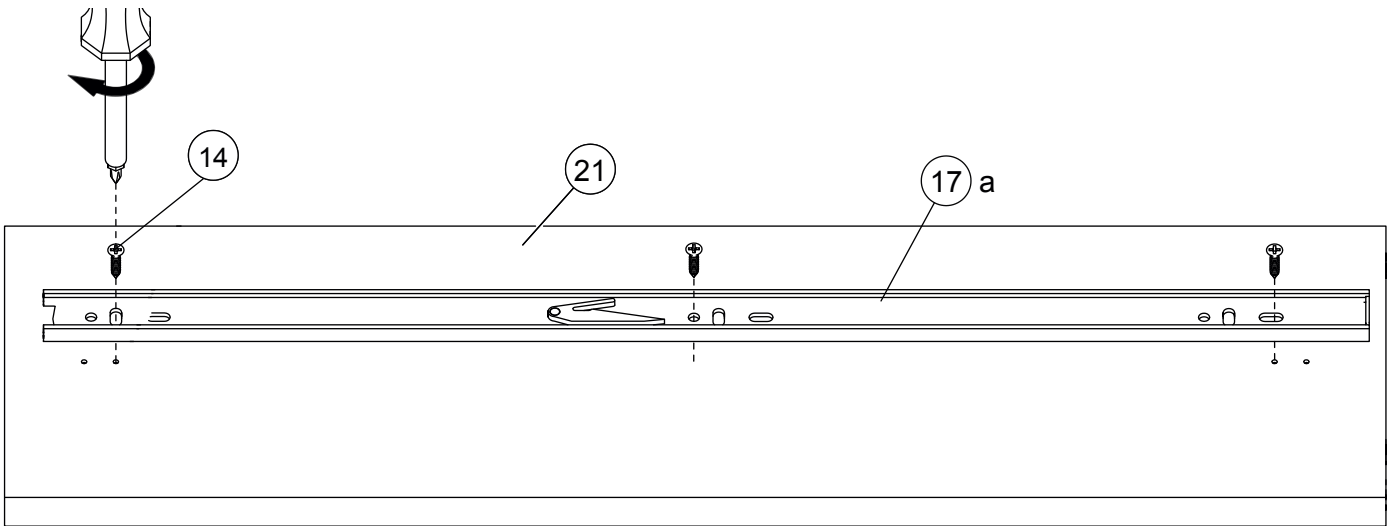
x1



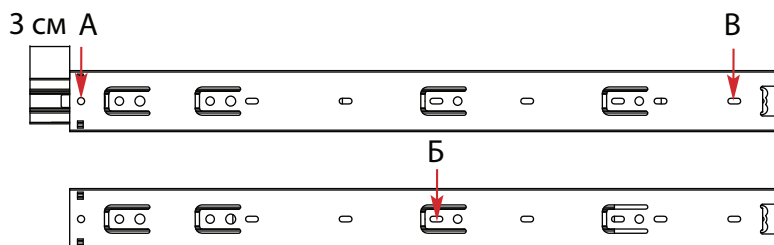
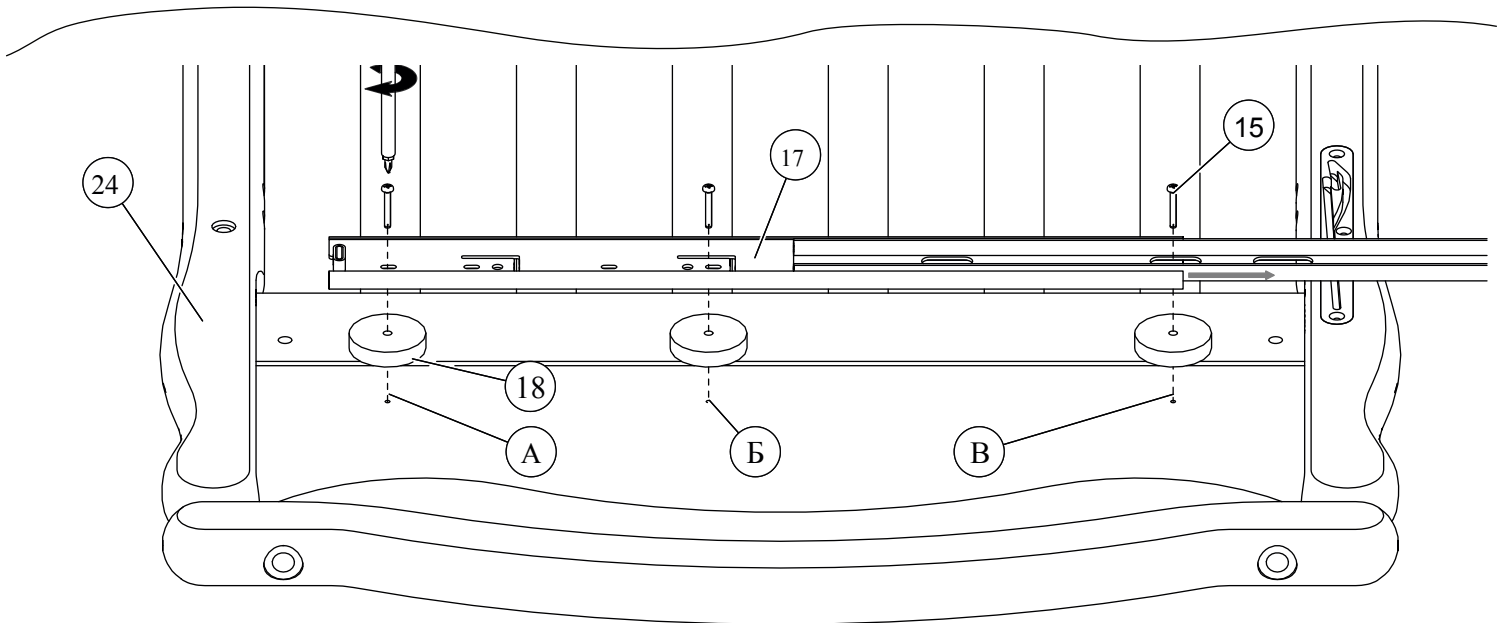
1



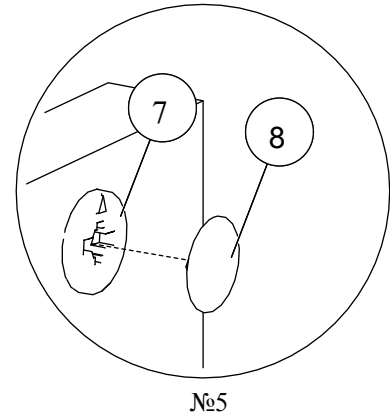
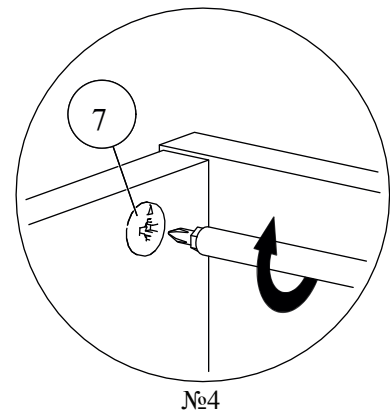
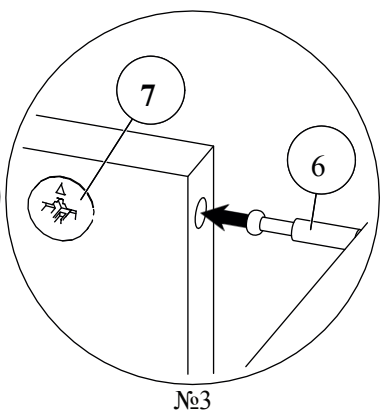
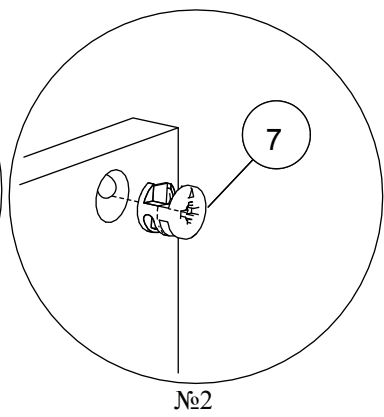
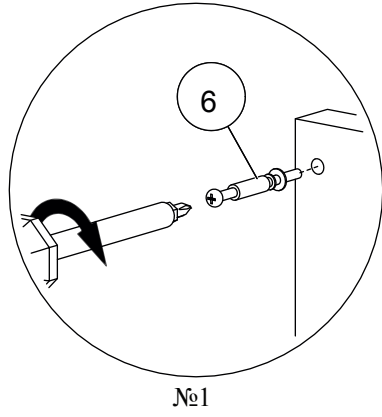
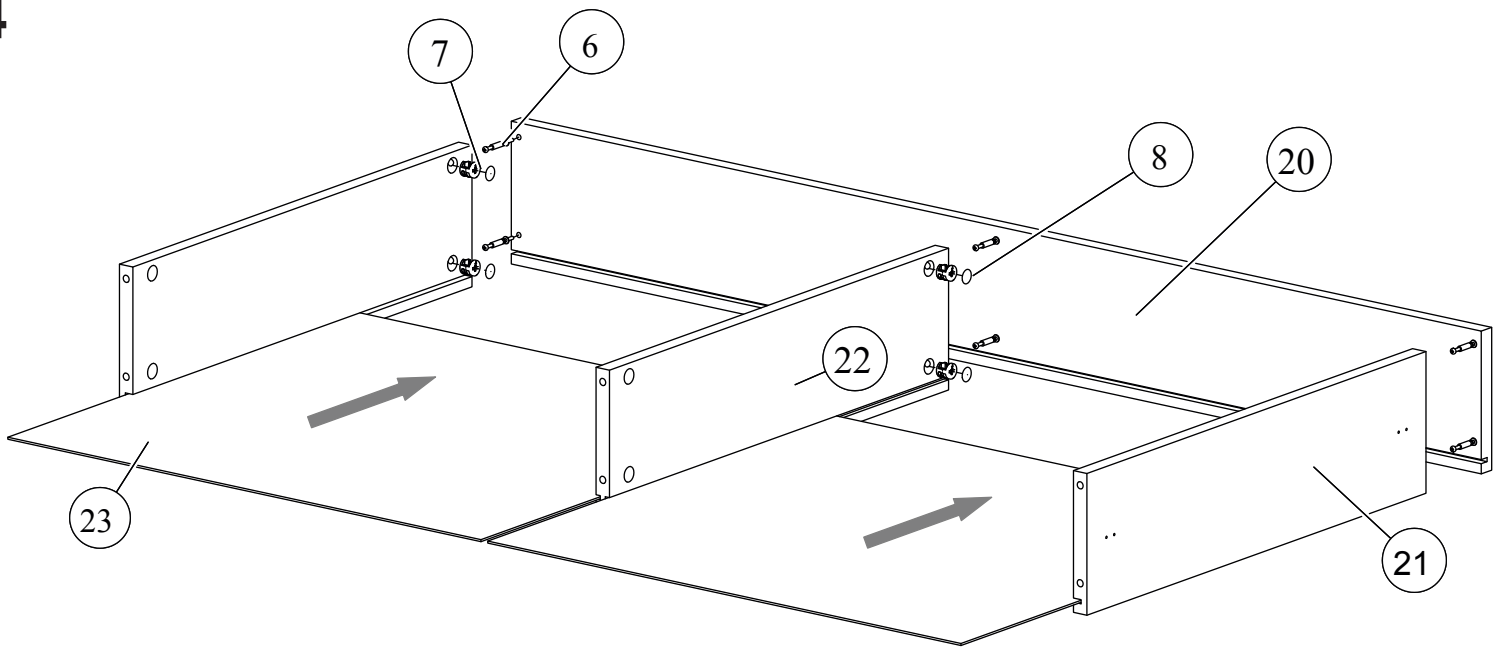
2



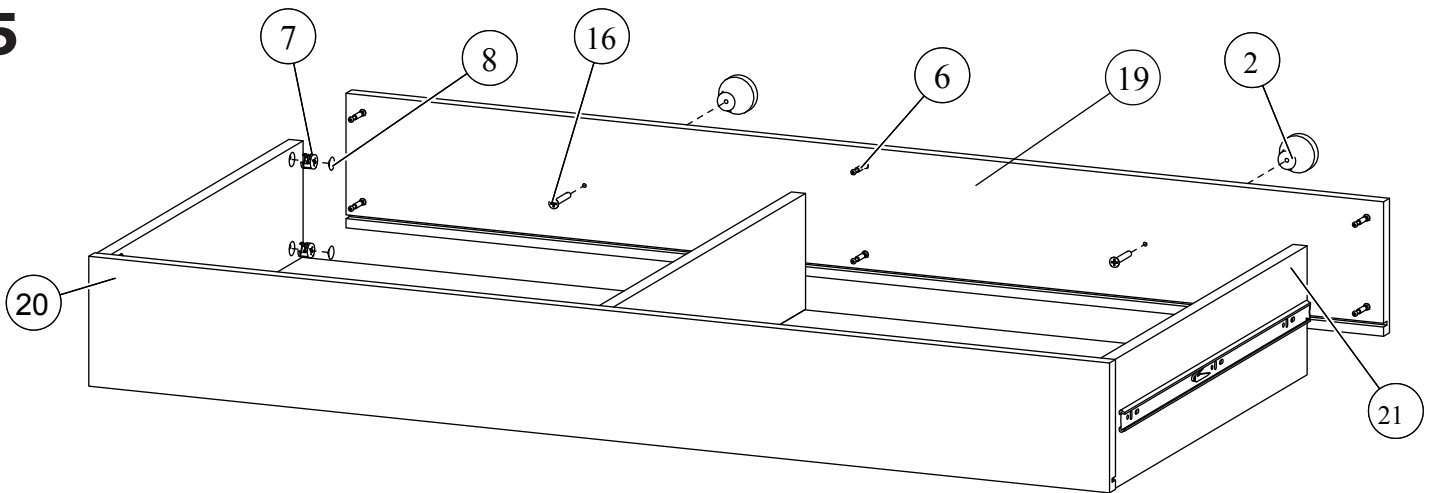
3

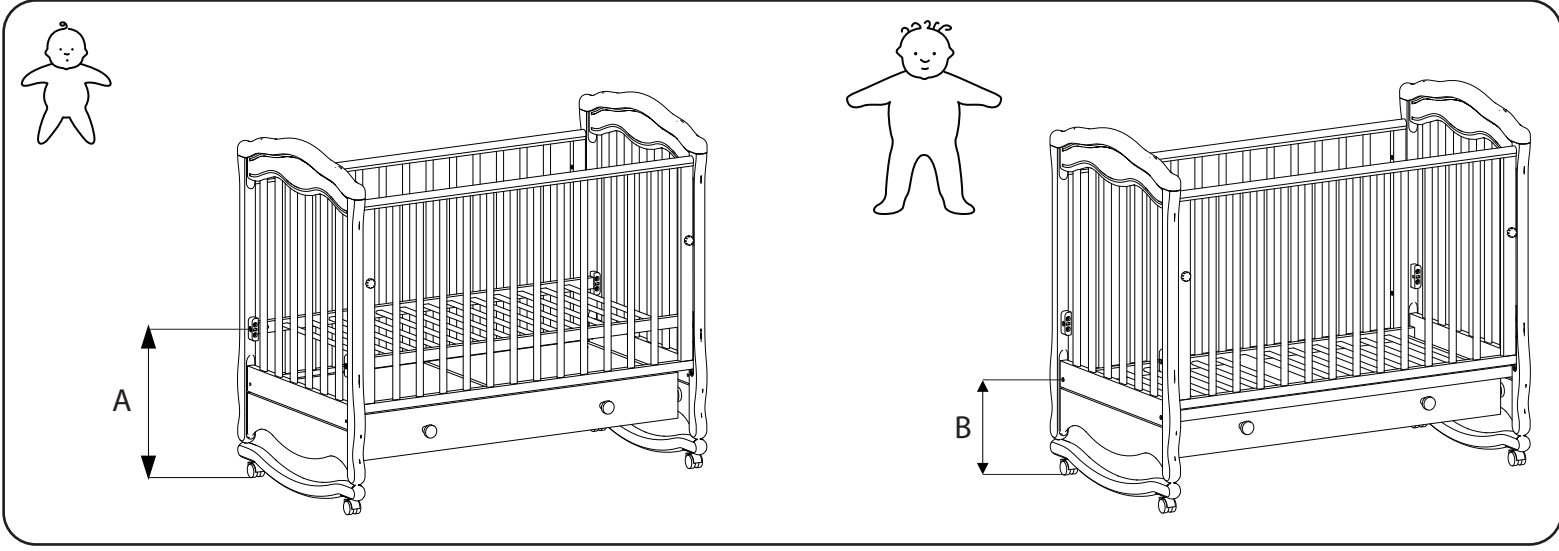


4

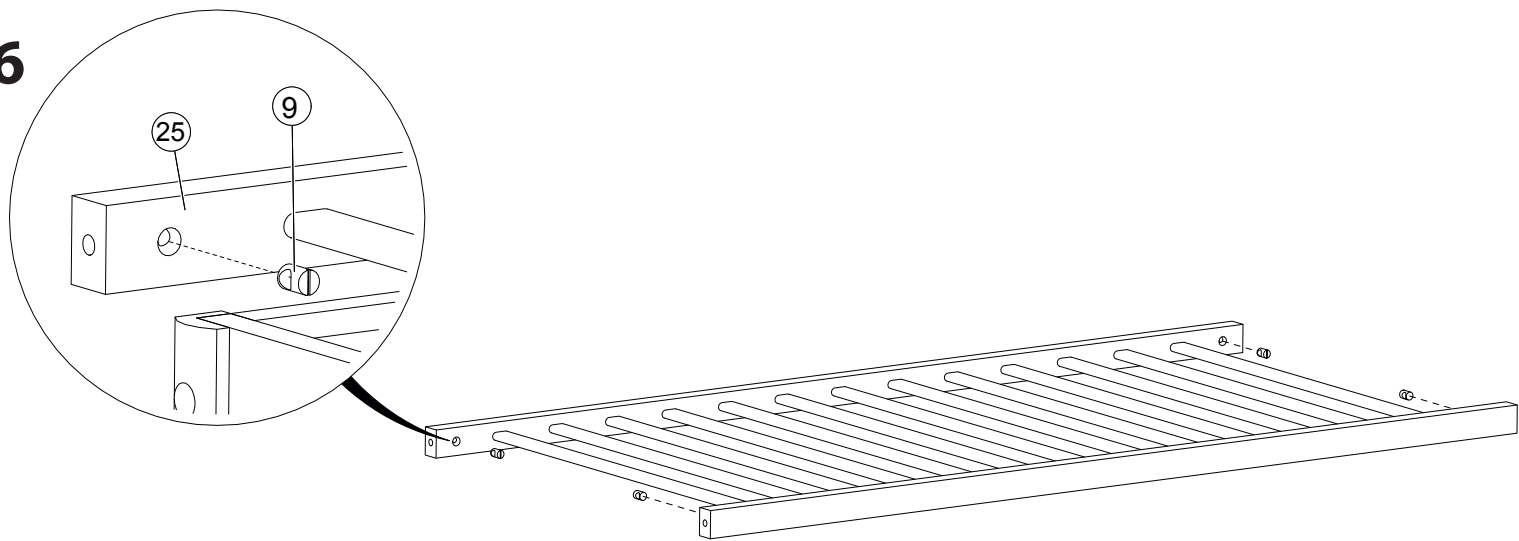


5

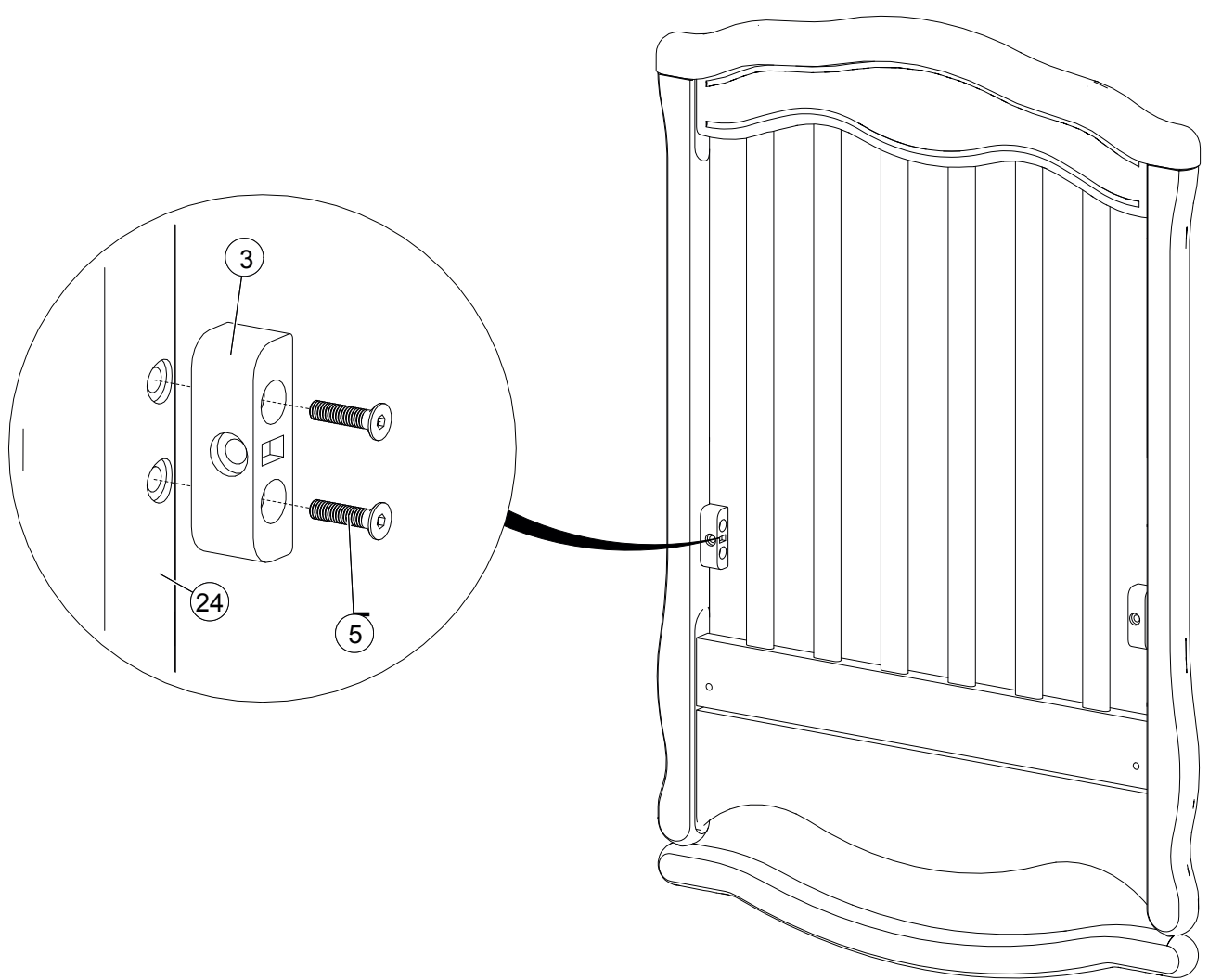




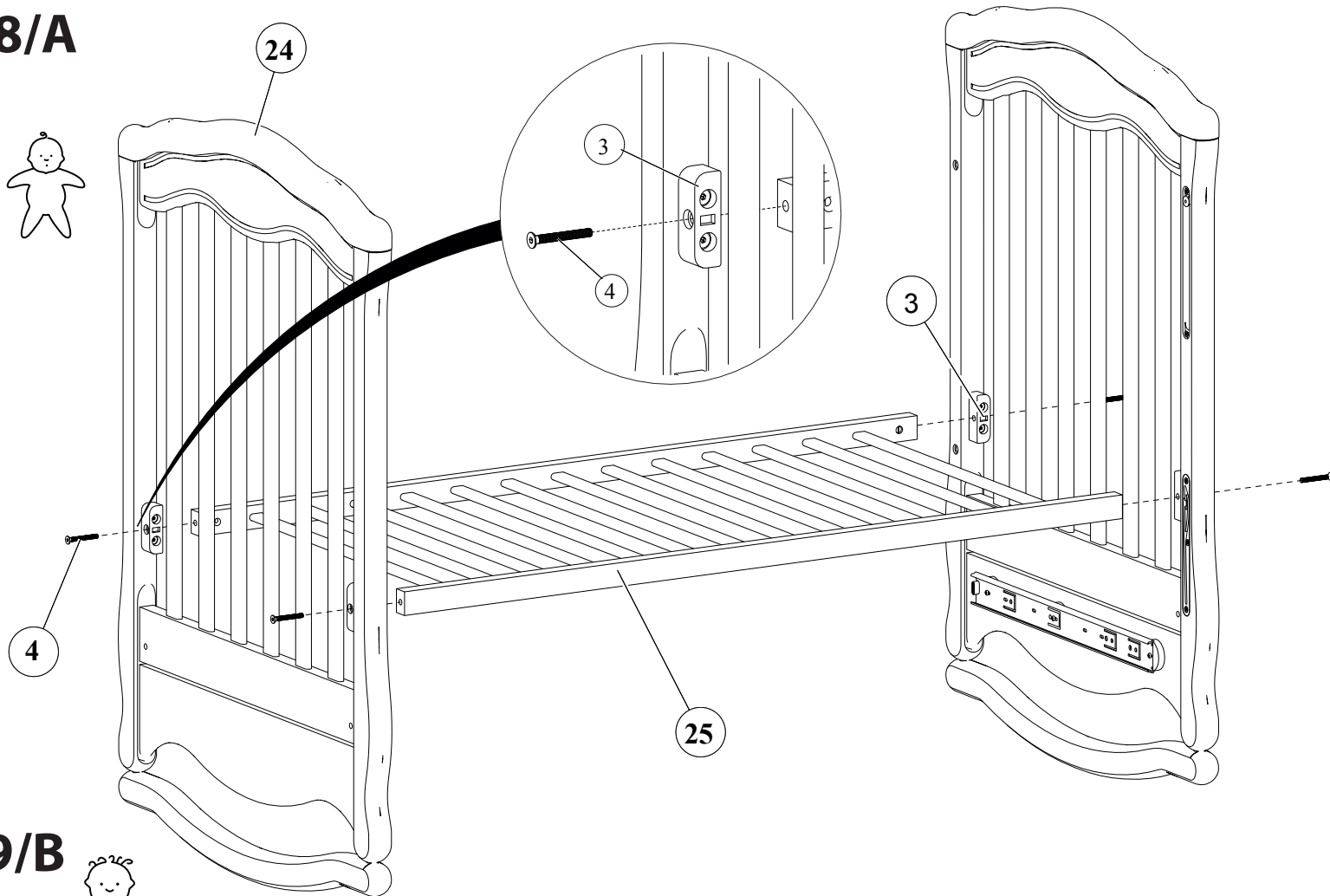
6



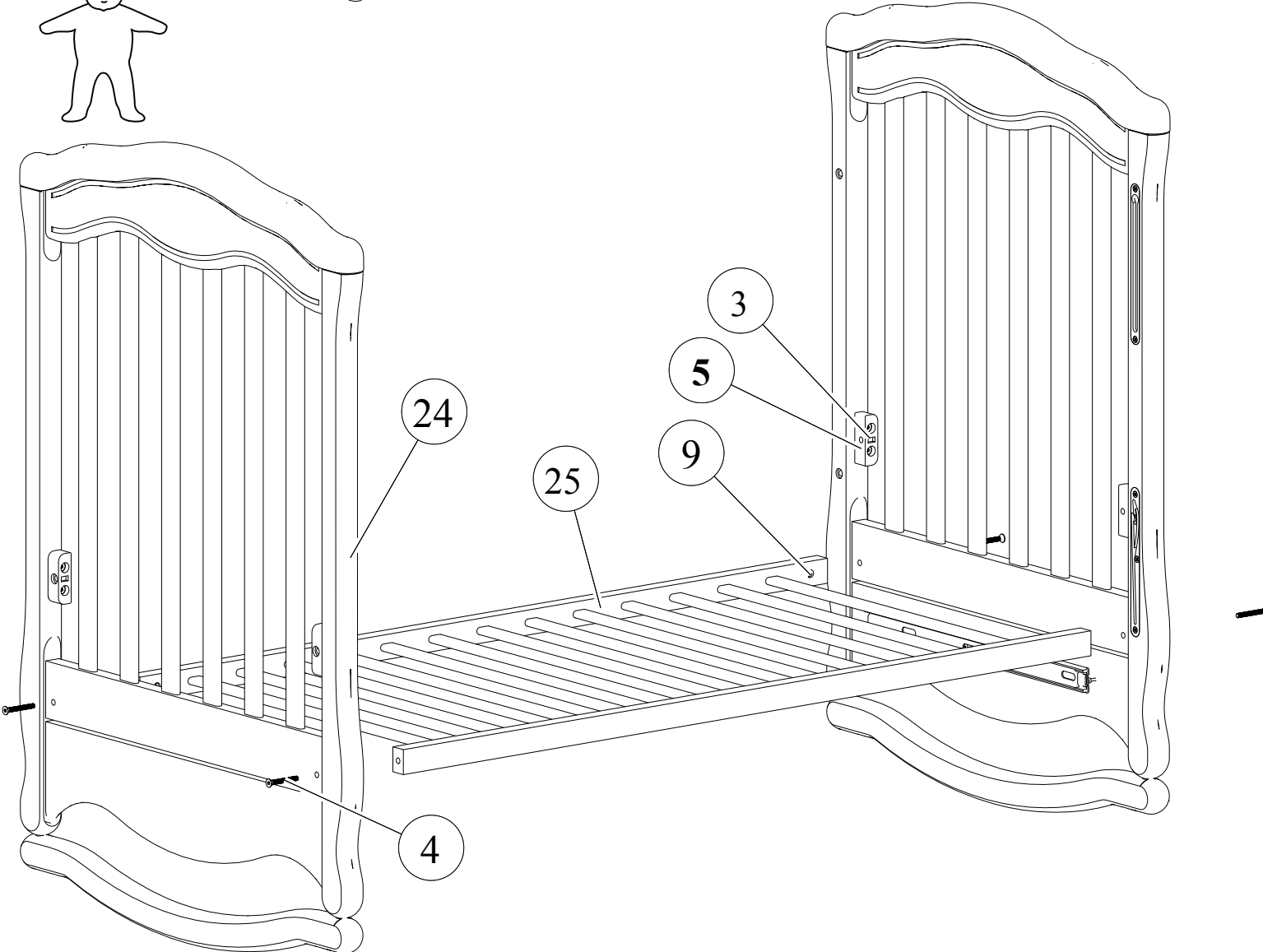
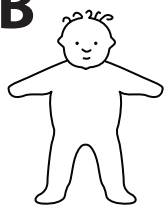
7/A



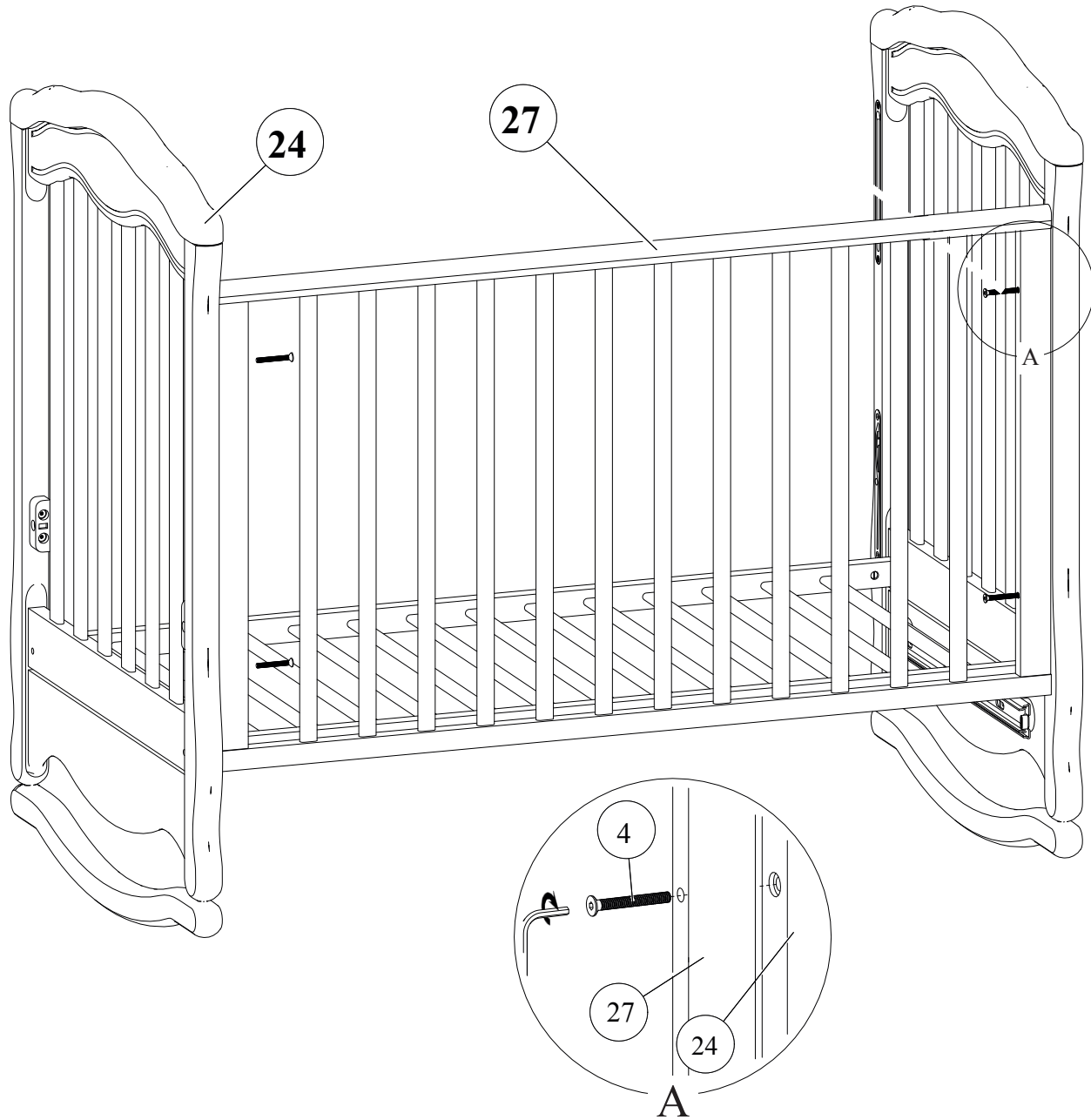
8/A



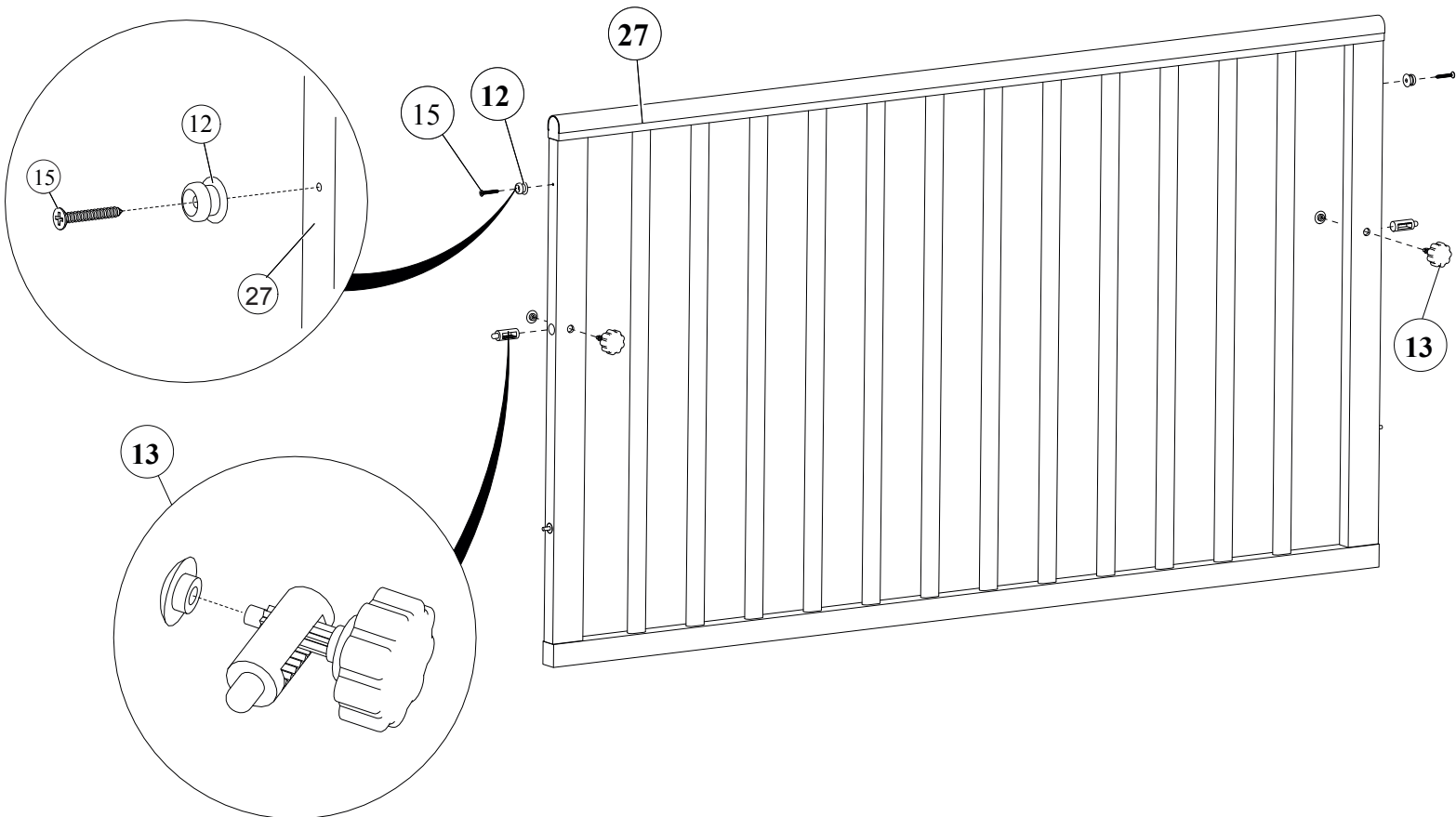
9/B

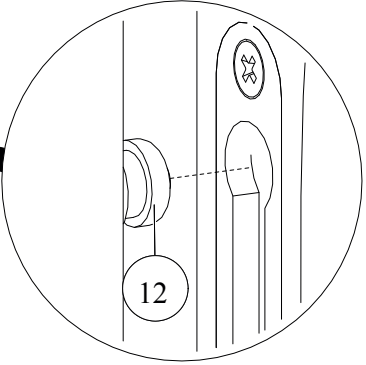
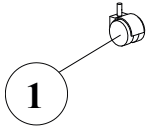
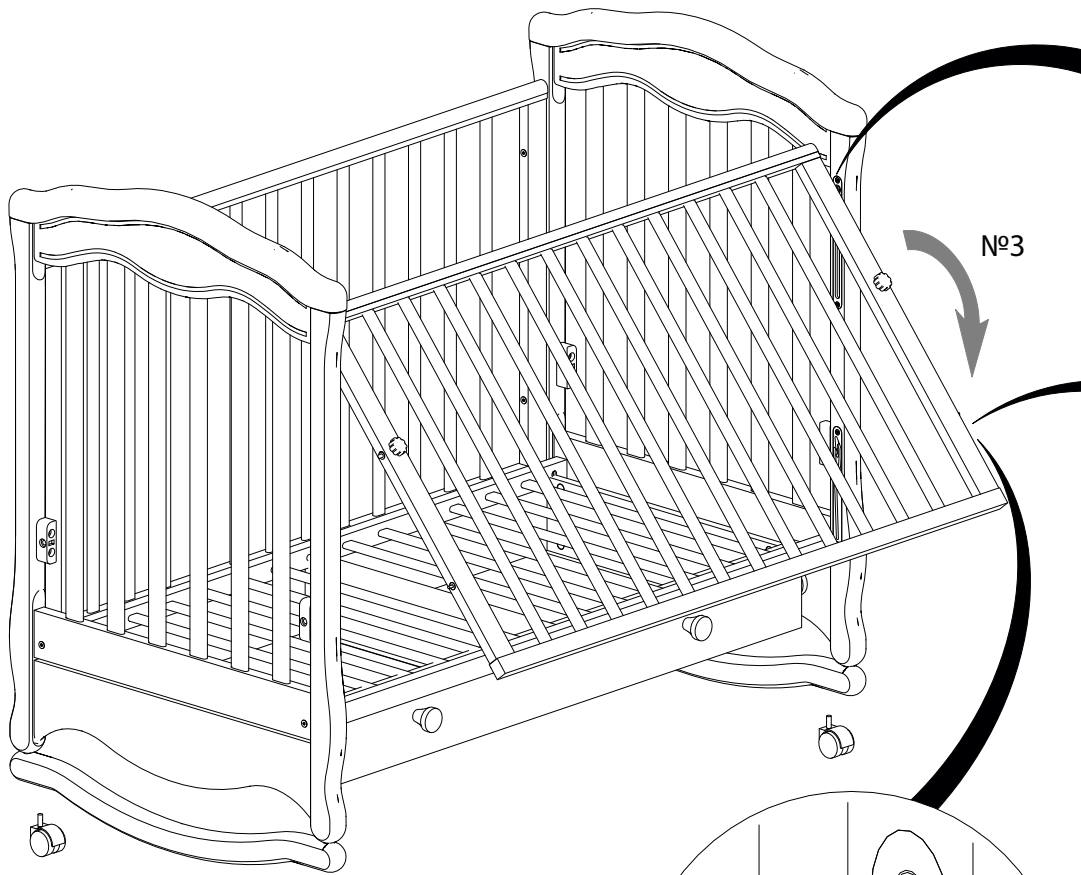


10

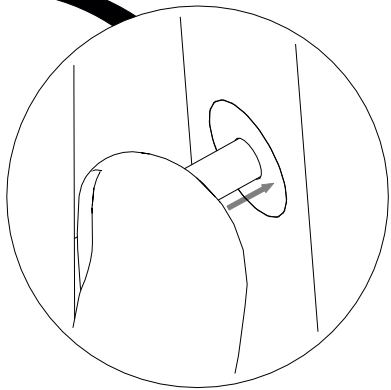


11

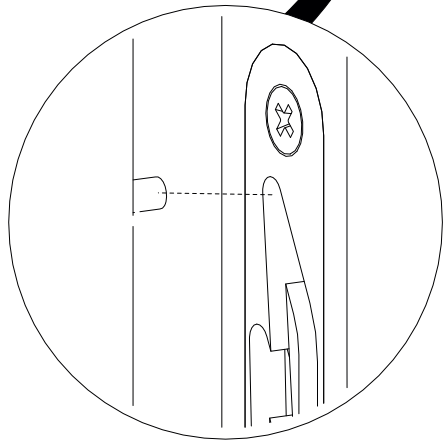




№1



№2



№4

№3

12